

# ECO FOCUS PTE LTD

## About Us

Eco Focus Pte Ltd is a professional consultancy firm which was formed in 2008. We are specialized in providing consultancy services in the field of offshore, marine, oil and gas industries.

## Our Mission

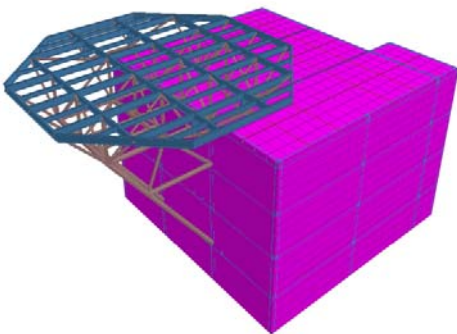
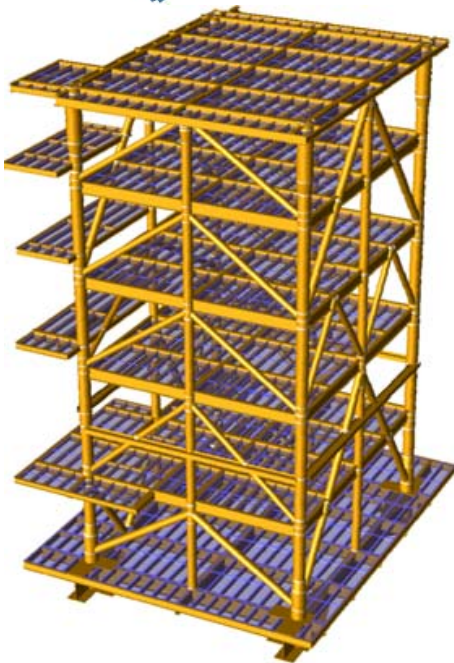
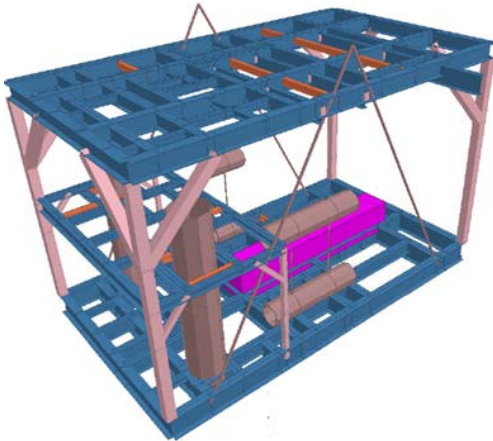
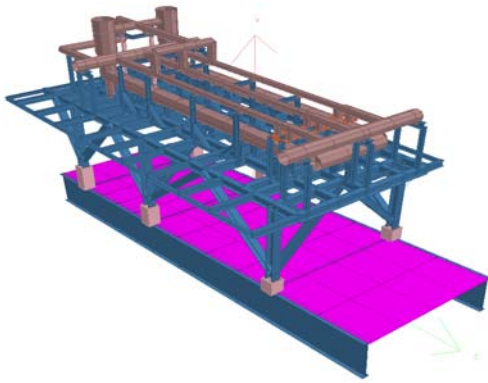
Providing engineering services to meet our clients' expectations and standards of profession. We do so by focusing on development of cost-effective and innovative structural engineering solutions.

## Our Experiences

### Skid / Service Module / Offshore Container Design as per API / AISC or DNV 2.7-1/2/3

- Projects are from different countries, such as Singapore, Malaysia, Indonesia, Vietnam, China, Iraq and also Middle East countries.
- Offshore (FPSO, fixed platform) or onshore
- E house Module, Compressor skid, Metering skid, Valves & Blocks Skid, Piping Lines Skids, Tank/Pump Skids, etc.
- Skid structural design under operating condition, test condition, transport and installation condition
- Lifting design with the different lifting methodology (four slings-single point lift, six slings-with spreader bar, or other special lifting arrangement if request by the client).
- Design of lifting padeyes or trunions and its connection to the module
- Other Misc structures, such as equipment/pipe support, platform, concrete footing of skid and anchorage bolt, etc.
- Design, calculation report, and drafting of module GA and structural fabrication drawings
- Professional Engineering (PE) services are available

ECO FOCUS PTE LTD



# ECO FOCUS PTE LTD

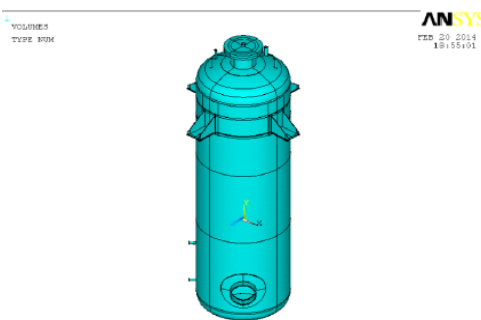
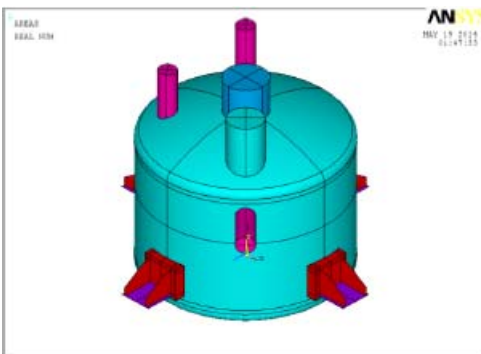
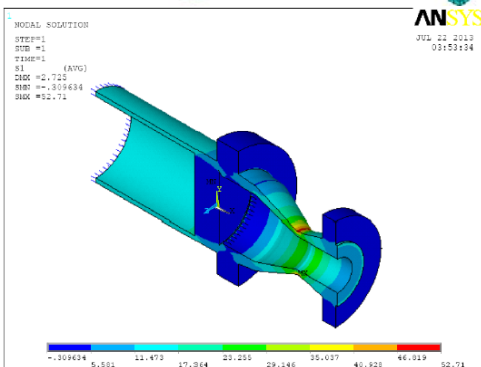
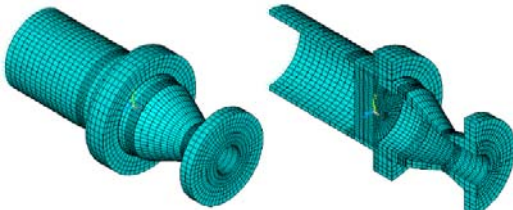
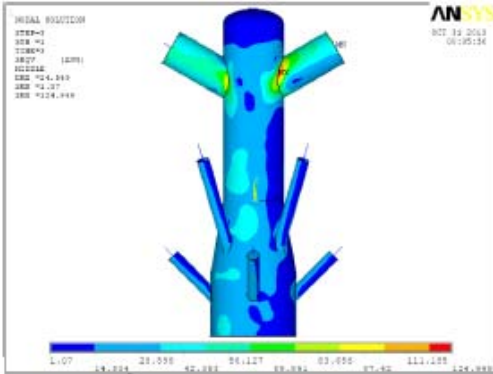
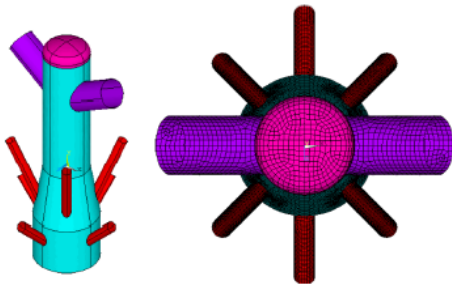
## Our Experiences

### Finite Element Stress and Fatigue Analysis for Pressure Vessel as per ASME Sec. VIII Div.1/2

- Heat Exchangers, Reactors, Liquid Heater Quench Fittings, ect.
- Nozzle and support lug fatigue analysis under thermal and pressure cyclic load
- Agitator nozzle, DIP pipe and baffles stress and fatigue analysis under cyclic load from agitator
- Half pipe coil jacket thermal stress analysis
- Vibration natural frequency assessment, Thermal analysis (heat transfer analysis). structural FFA analysis

### Offshore Transportation and Installation

- Float-Over Mating Analysis (LMUs/strands jacks, Fenders, tether lines and mooring lines, DSUs/Grillage, etc.)
- Mooring Analysis
- Dynamic Lifting Analysis
- Barge Stability & Motion Analysis
- Jacket Upending & On bottom Analysis
- Seafastening design

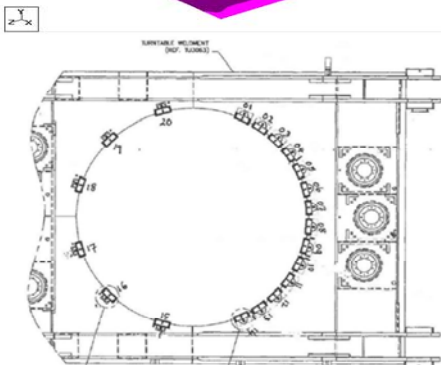
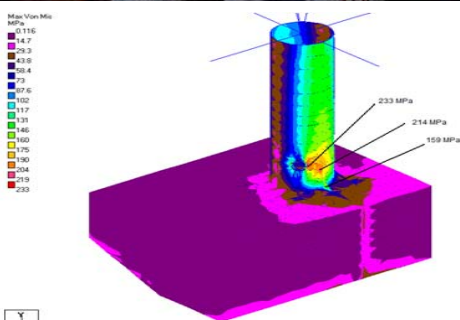
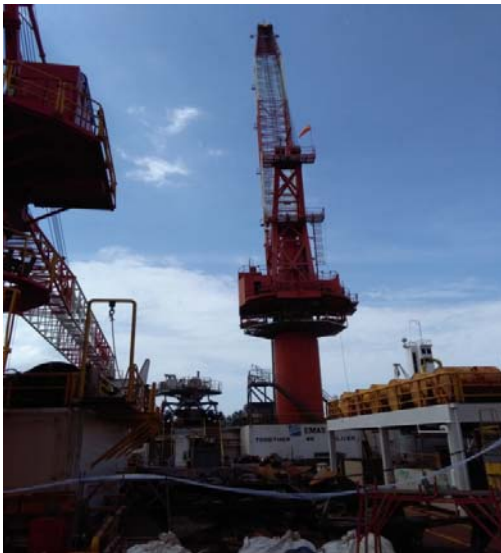
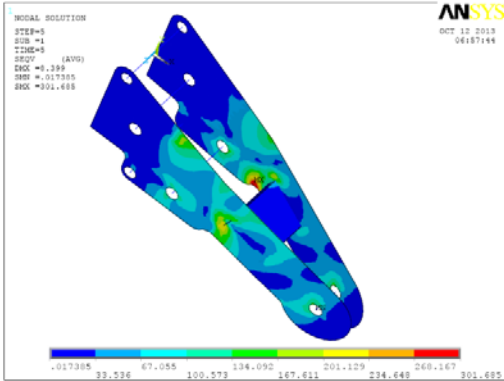
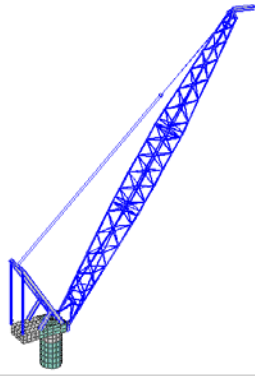


# ECO FOCUS PTE LTD

## Our Experiences

### Offshore Pedestal Crane Structural Design and FEA Analysis as per API 2C

- Structural analysis and fatigue analysis
- Lifting condition (offboard and onboard) and stowed condition
- Boom structure including boom heel pin connection and boom connectors
- A frame structure
- Mast and mast connection padeyes
- Machinery deck structure finite element analysis
- Pedestal finite element analysis
- Fly jib finite element analysis
- Local stress of bearing shoes through FEA



# ECO FOCUS PTE LTD

## Piping Stress Analysis as per ASME B31.3

- Various types of pipe lines, such as fascial oil and gas metering, pump suction and discharge lines, column overhead vapor lines, MPC, MPS and LPS lines, ect.
- Vacuum lines or pressurized lines
- Piping routing design to suit the requirement of pressure drop, limited space, and low allowable nozzle reactions or low allowable pipe support reactions
- Flange leakage check
- Blast load and surge force
- Assessment of flow induced vibration
- Special element design, such as spring hangers, expansion joints, etc.

## Jack-up Barge Stability, Structural, and Fatigue Analysis as per BV GN NI 534

- Overall stability check of the jack up at the elevated position (Survival condition and operating condition)
- Leg strength and buckling check during towing and operation
- Natural frequency and wave spectrum analysis
- Leg housing fatigue analysis
- Accommodation block and heli-deck structural design
- Local FEA analysis such as moonpool area, pedestal crane area, etc.

## Our Contact

- Contact: Dr. Yang Wei
- Mobile: 8298 9925
- Email: wisonyang@yahoo.com
- Address: #05-07, 29 Jurong West street 41, Singapore 649411

